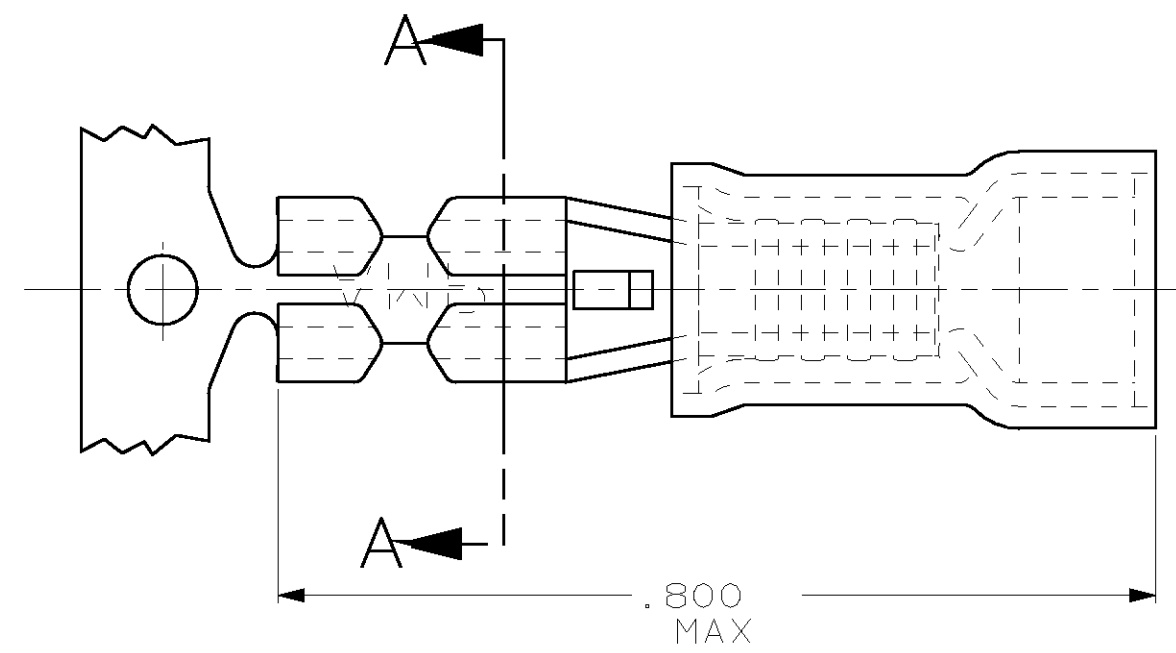
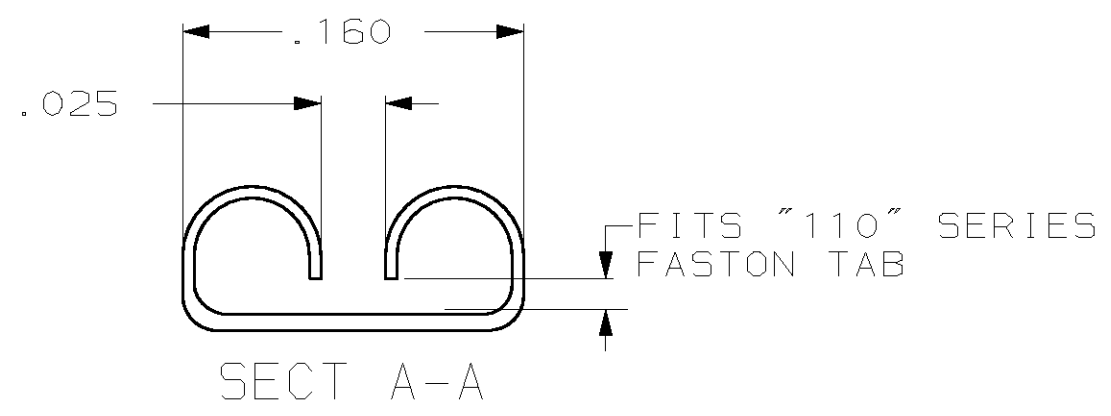
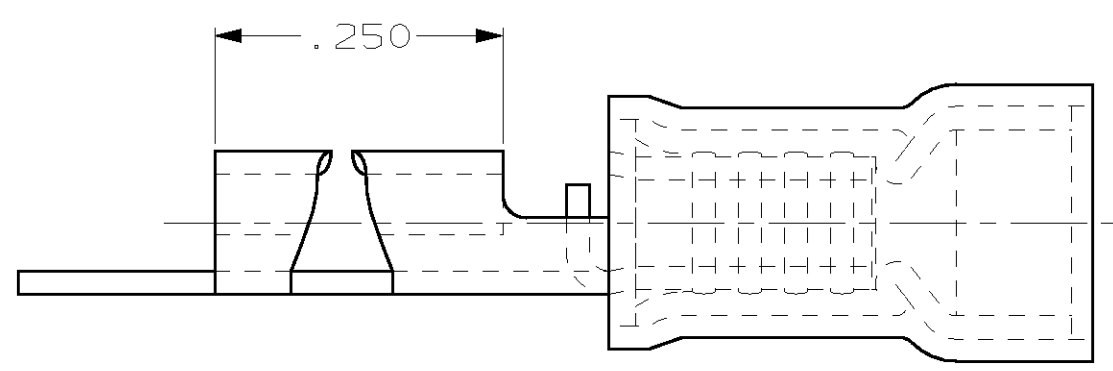


THIS DRAWING IS UNPUBLISHED. RELEASED FOR PUBLICATION ,19 .  
 © COPYRIGHT 19 BY AMP INCORPORATED. ALL RIGHTS RESERVED.

LOC		DIST		REVISIONS			
P	LTR	DESCRIPTION		DATE	DWN	APVD	
	J	REV PER 0G3A-0176-02		08APR02	JR	TM	



- 1. INSULATION DIA .140 MAX
- 2. FITS TAB .020 THK



-	-	640922-1
QTY	PACKAGE TYPE	PART NO

AMP INCORPORATED CUSTOMER SERVICE SYSTEM		MAX RECOMMENDED OPERATING TEMPERATURE: -	THIS DRAWING IS A CONTROLLED DOCUMENT FOR AMP INCORPORATED. IT IS SUBJECT TO CHANGE AND THE CONTROLLING ENGINEERING ORGANIZATION SHOULD BE CONTACTED FOR THE LATEST REVISION.		DWN L OLMEDA 13NOV95	<b>AMP</b> AMP Incorporated Harrisburg, PA 17105-3608
FOR ADDITIONAL PRODUCT INFORMATION OR COPIES OF DRAWINGS AND TECHNICAL DOCUMENTS	PRODUCT INFORMATION CENTER 1-800-522-6752	VOLTAGE RATING: -	DIMENSIONS: INCHES	TOLERANCES UNLESS OTHERWISE SPECIFIED: 0 PLC ±- 1 PLC ±- 2 PLC ±.015 3 PLC ±- 4 PLC ANGLES ±-	CHK M ELLIS 15NOV95	
FOR APPLICATION TOOLING INFORMATION	TOOLING ASSISTANCE CENTER 1-800-722-1111	CIRCULAR MIL AREA: -	MATERIAL BODY, BRASS .016 SLV, NYLON, COLOR, RED		APVD B BARE 15NOV95	SIZE A3
FOR ORDER ENTRY	1-800-526-5142		FINISH BODY, PRE-TIN		PRODUCT SPEC -	CAGE CODE 00779
					APPLICATION SPEC -	DRAWING NO C-640922
					WEIGHT -	SCALE NT5
					CUSTOMER DRAWING	SHEET 1 OF 1
						REV J